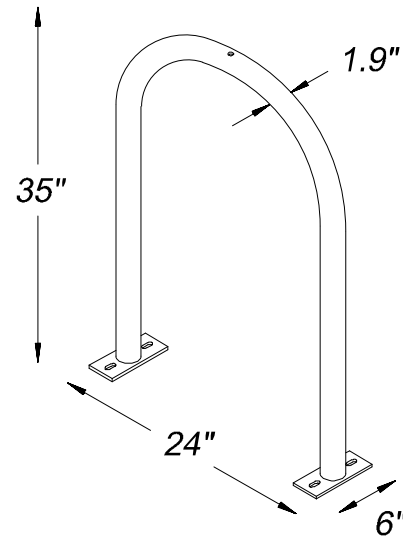
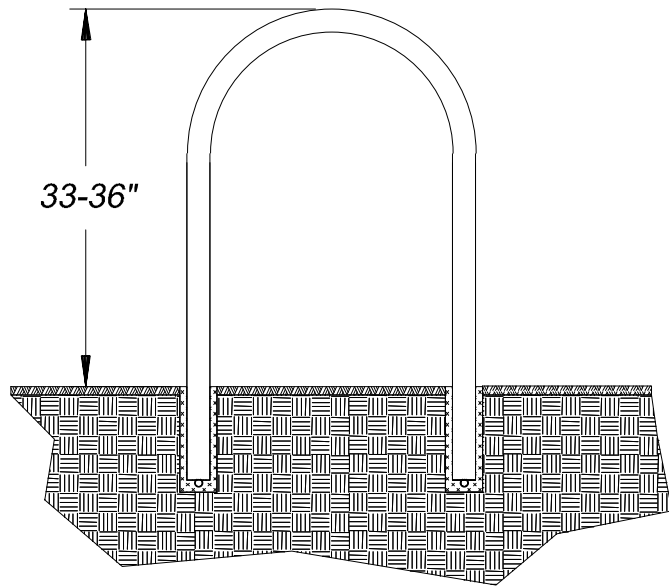
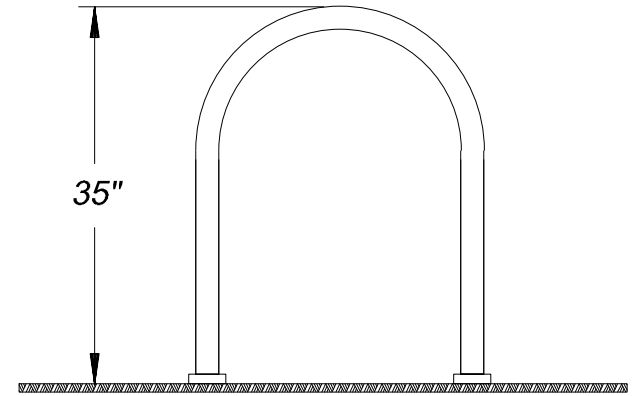


### IN-GROUND MOUNT



### SURFACE MOUNT



#### BIKE RACK INSTALLATION:

SURFACE MOUNT - WHEN INSTALLED ON CONCRETE SURFACE, USE 3/8" ANCHORS TO PLATE MOUNT. SHIM AS NECESSARY TO ENSURE VERTICAL PLACEMENT.

IN-GROUND MOUNT - WHEN INSTALLED ON PAVERS OR OTHER NON-STABLE SURFACES, EMBED INTO BASE. CORE HOLES NO LESS THAN 3" IN DIAMETER AND 10" DEEP.

WHEN INSTALLING 30" SEPARATION BETWEEN RACKS.



TOWN OF INDIAN TRAIL  
STANDARD DETAIL

## STANDARD BIKE RACK DETAIL

REVISIONS	Scale
	Not To Scale
	Revision Date
	02/2021
	Detail #
	M_1.01